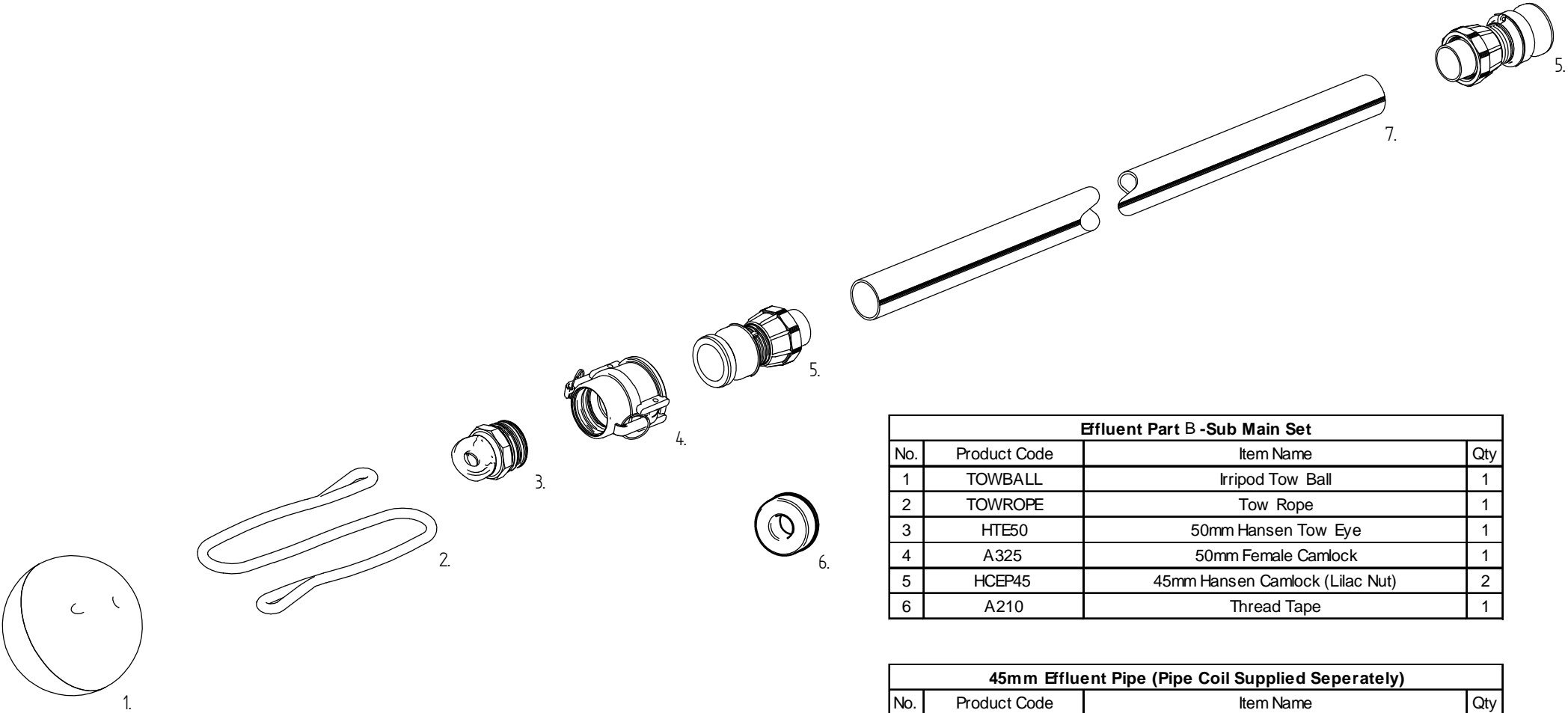


# Effluent Part B - Sub Main Set



Effluent Part B -Sub Main Set			
No.	Product Code	Item Name	Qty
1	TOWBALL	Irripod Tow Ball	1
2	TOWROPE	Tow Rope	1
3	HTE50	50mm Hansen Tow Eye	1
4	A325	50mm Female Camlock	1
5	HCEP45	45mm Hansen Camlock (Lilac Nut)	2
6	A210	Thread Tape	1

45mm Effluent Pipe (Pipe Coil Supplied Separately)			
No.	Product Code	Item Name	Qty
7	2230.45PN5.120	Effluent Pipe 45mm x 50m	1



Pipe needs to be uncoiled and laid out at least 24 hours before use